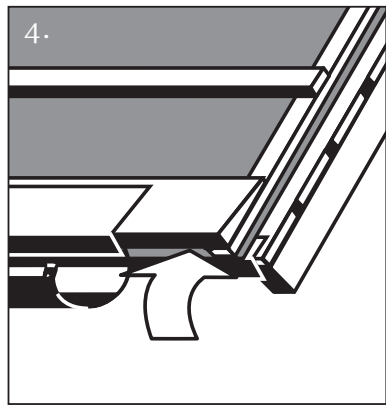
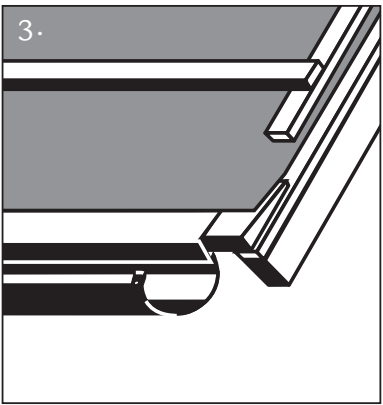
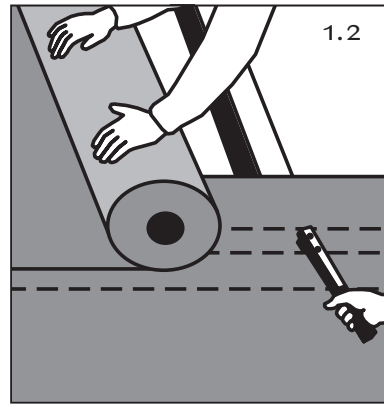
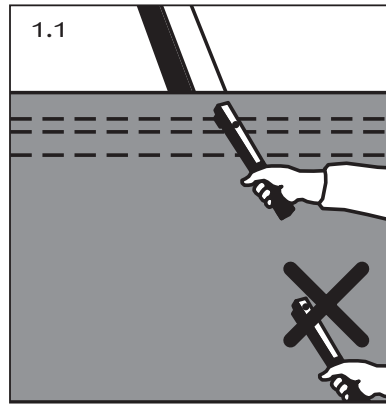
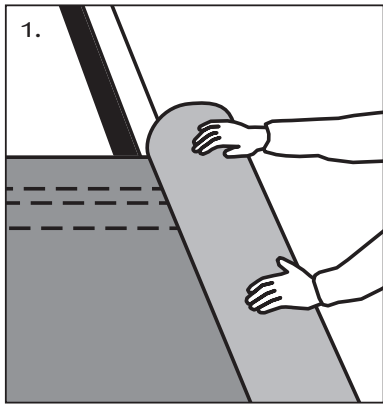
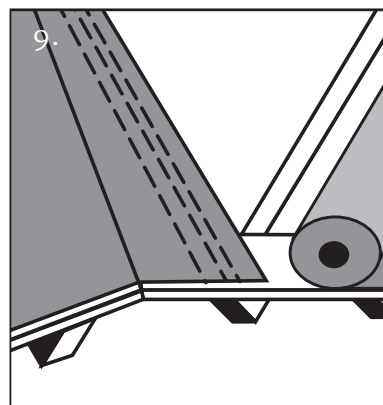
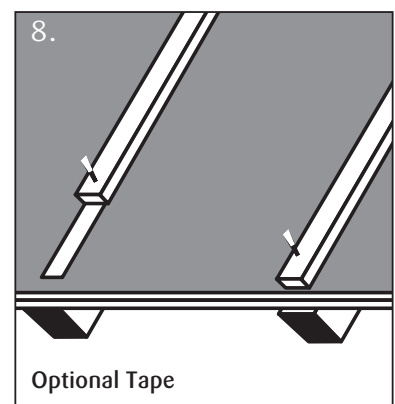
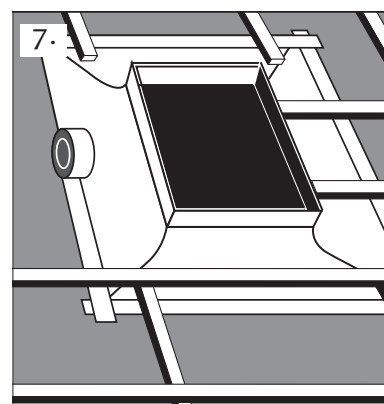
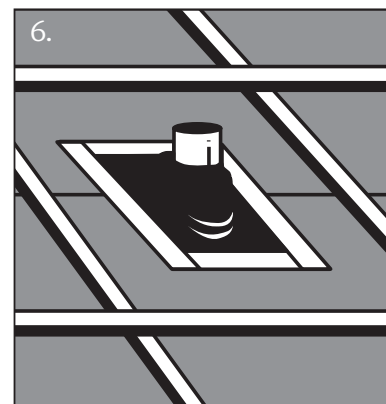
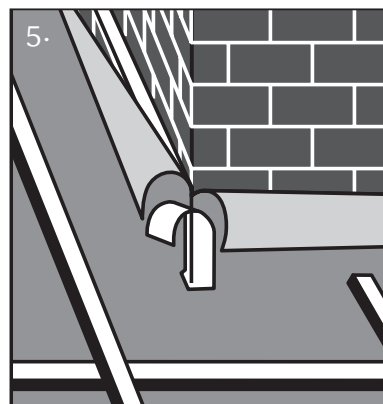


Installation instructions Breathable Underlay



Details



AI-1 0#04-KLB-01 01. We reserve the right to make technical changes. ©Registered trademark for Klüber GmbH & Co.KG

KLÜBER **HPI**